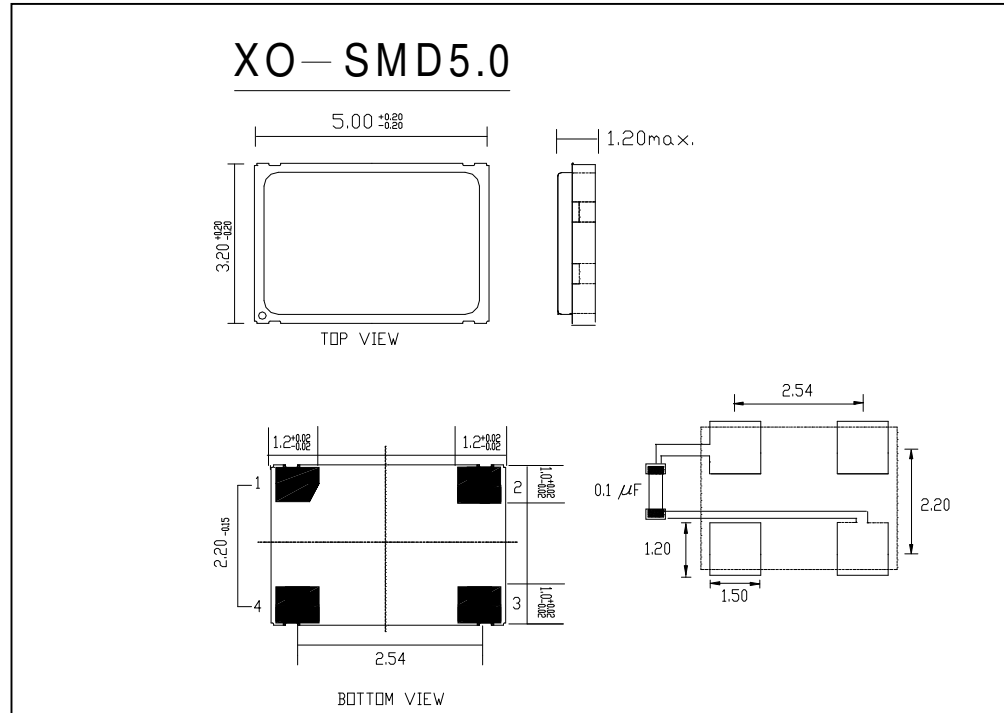


## XO-SMD5.0

### Features

ceramic SMD  
low power



### Applications

PCMCIA card  
portable applications

### Specifications

Center frequency:	1~50MHz
Frequency Stability	±50ppm, ±25ppm, ±20ppm
Operating Temperature Range:	0°C~+70°C
Aging Rate:	±5ppm
Storage Temp Range:	55°C~+125°C
Output Waveform Load:	HCMOS / TTL compatible (15pF / 10TTC)
Supply Voltage(V):	+3.3V / +5V ±10%
Supply Current:	35mA max
Symmetry	45/55% max